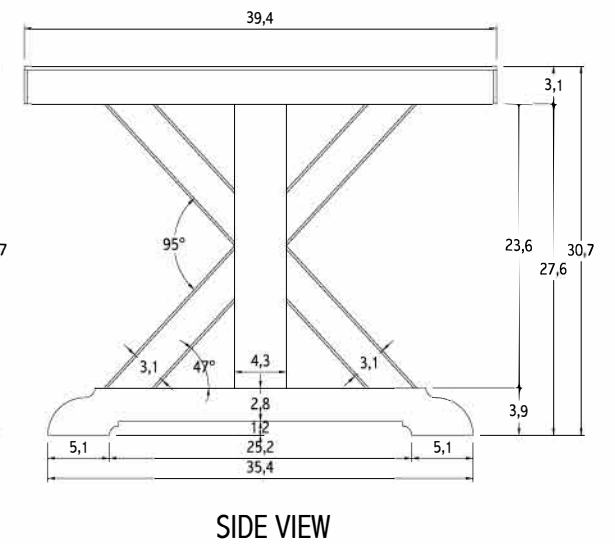
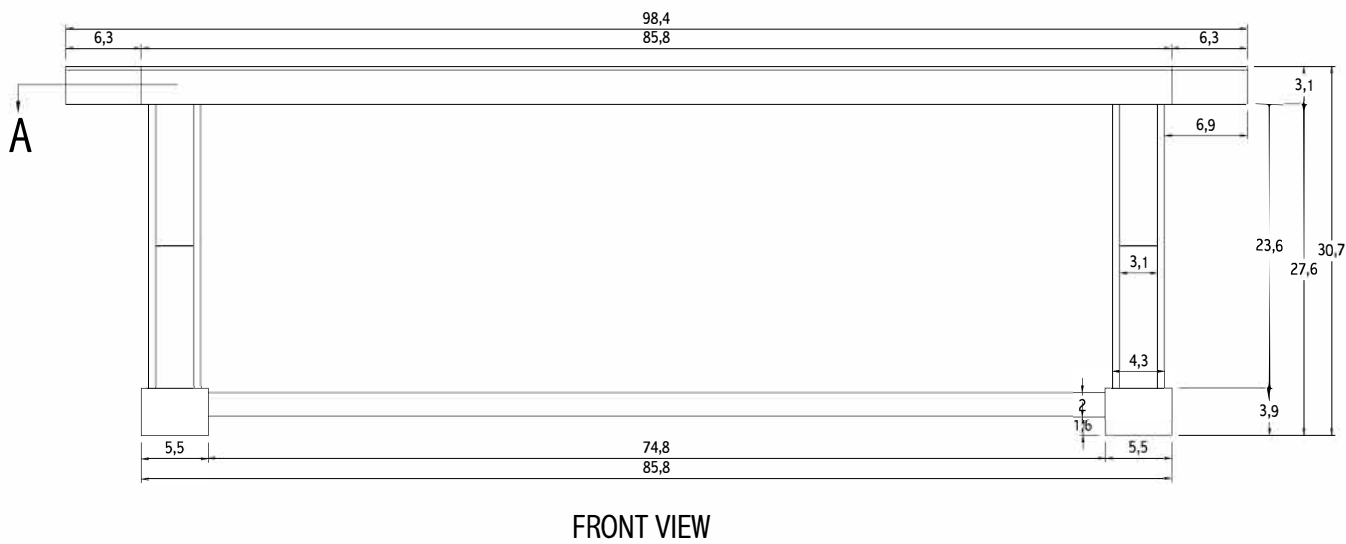
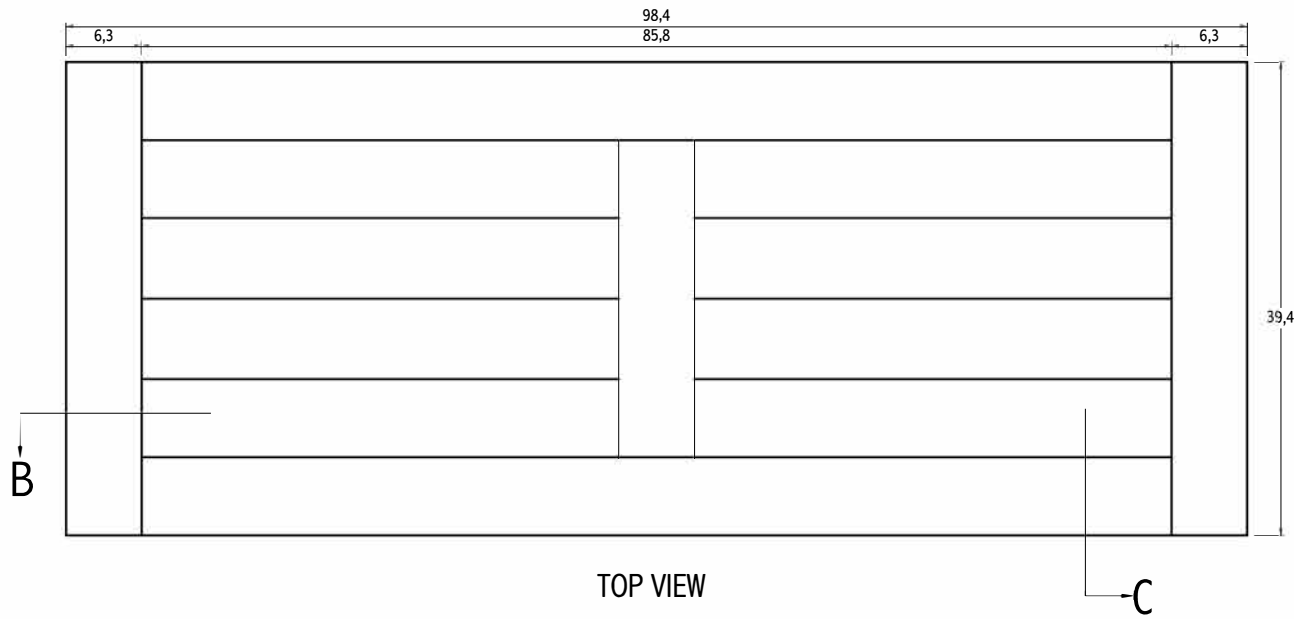

	DESIGN XBASE				SCALE XX	UNIT INCH	VERSION 01	DATE 03.05.2017	SKU #: 500.98DT.XB.N
	VIEW PERSPECTIVE	SIZE	LENGTH 98.4	WIDTH 39.4	HEIGHT 30.7	VOLUME (M3) 0.1910	APPROVAL -	PAGES 01 Of 03	



	DESIGN XBASE				SCALE 1 : 4	UNIT INCH	VERSION 01	DATE 03.05.2017	SKU #: 500.98DT.XB.N
	VIEW VIEW	SIZE 98.4	LENGTH 39.4	WIDTH 30.7	VOLUME (M3) 0.1910	APPROVAL -	PAGES 02 Of 03		